

PLANNING YOUR SIGNAGE

Effective signage results from a blend of intelligent design and installation.

At Farm Signs, we are committed to providing our clients with high quality signage designed to direct, educate, inspire and protect their staff and visitors.

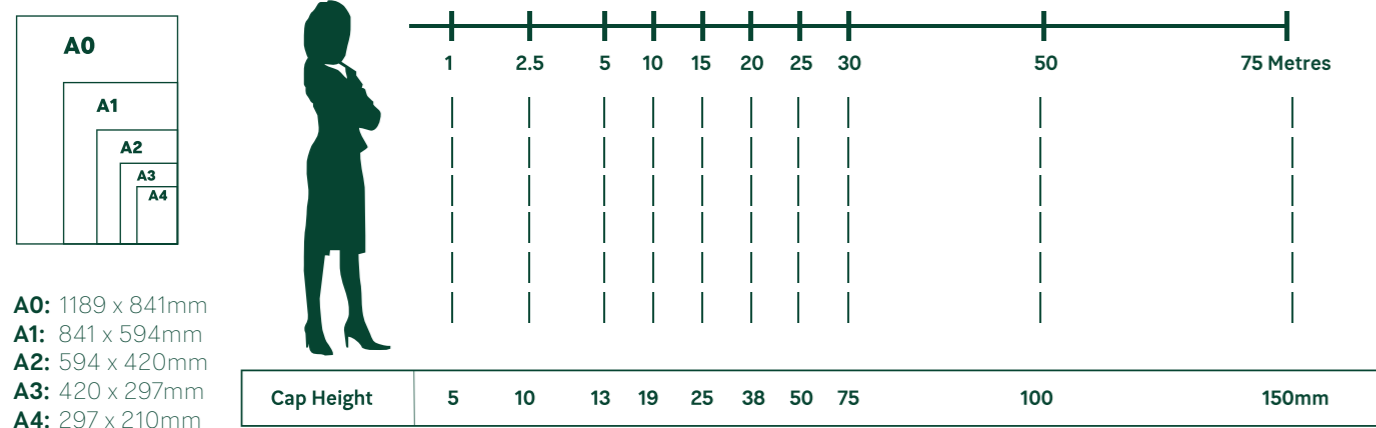
We can install your signs anywhere in the UK. Our installation teams are fully qualified and comply with all Health & Safety regulations at all times. Specialist installation teams can be employed where needed to cope with abnormally challenging conditions, to ensure successful completion of your project.

We are frequently asked questions about design & installation, and are happy to offer general guidance, although it is our client's responsibility to be aware of relevant planning and installation regulations specific to their location. The advice below may be helpful in answering some general design and installation questions, for further advice on your project

CALL US FREE ON 0800 45 85 660

RECOMMENDED VIEWING SIZES

The information contained in this chart enables the sign maker to produce legible signs that can be read from the correct distance, making sure the end user has a sign supplied that is clearly legible.



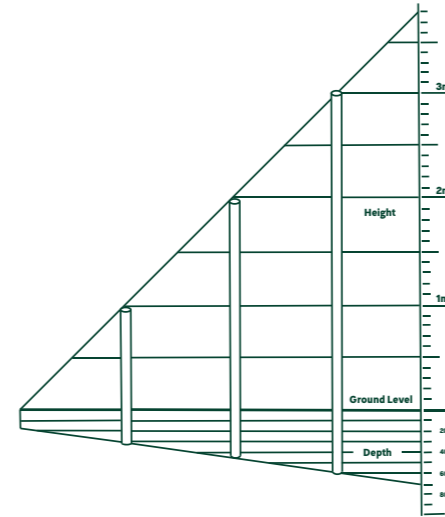
- A0: 1189 x 841mm
- A1: 841 x 594mm
- A2: 594 x 420mm
- A3: 420 x 297mm
- A4: 297 x 210mm

GENERAL INSTALLATION ADVICE

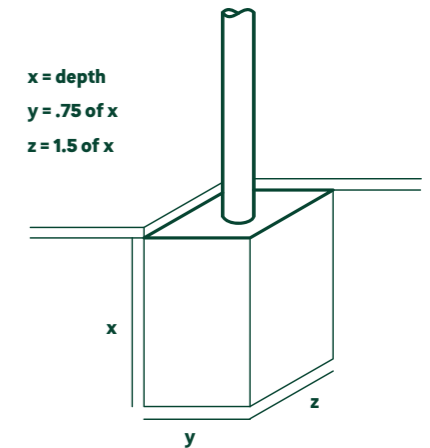
The following illustrations give general guidance relating to post height above and below ground, as well as foundation details, assuming stable ground conditions.

These general guidelines do not replace advice from qualified structural engineers, which should be sought, as Farm Signs cannot be held responsible for any liability arising from this advice.

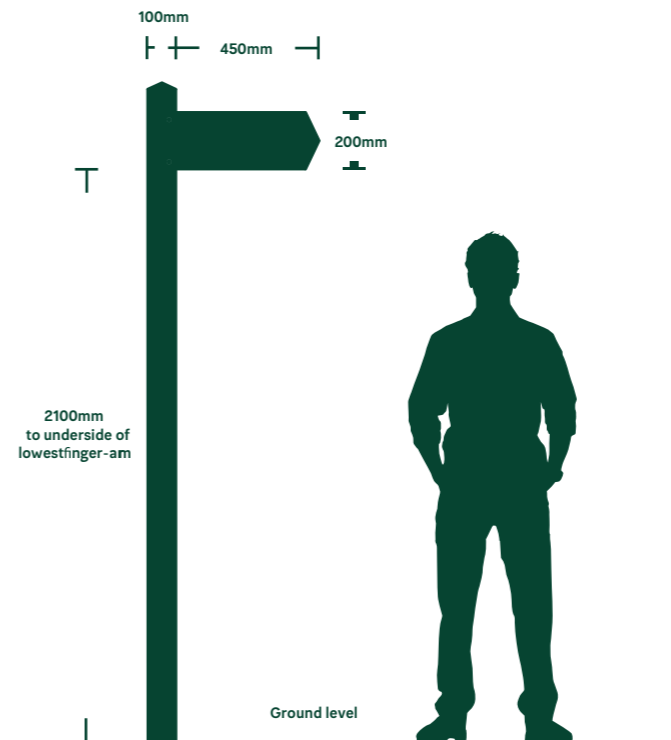
POST DEPTH CALCULATOR



FOUNDATION HOLE SIZE



TYPICAL FINGERPOST DIMENSIONS



TYPICAL FINGERPOST FOUNDATION RECOMMENDATIONS

Installation

